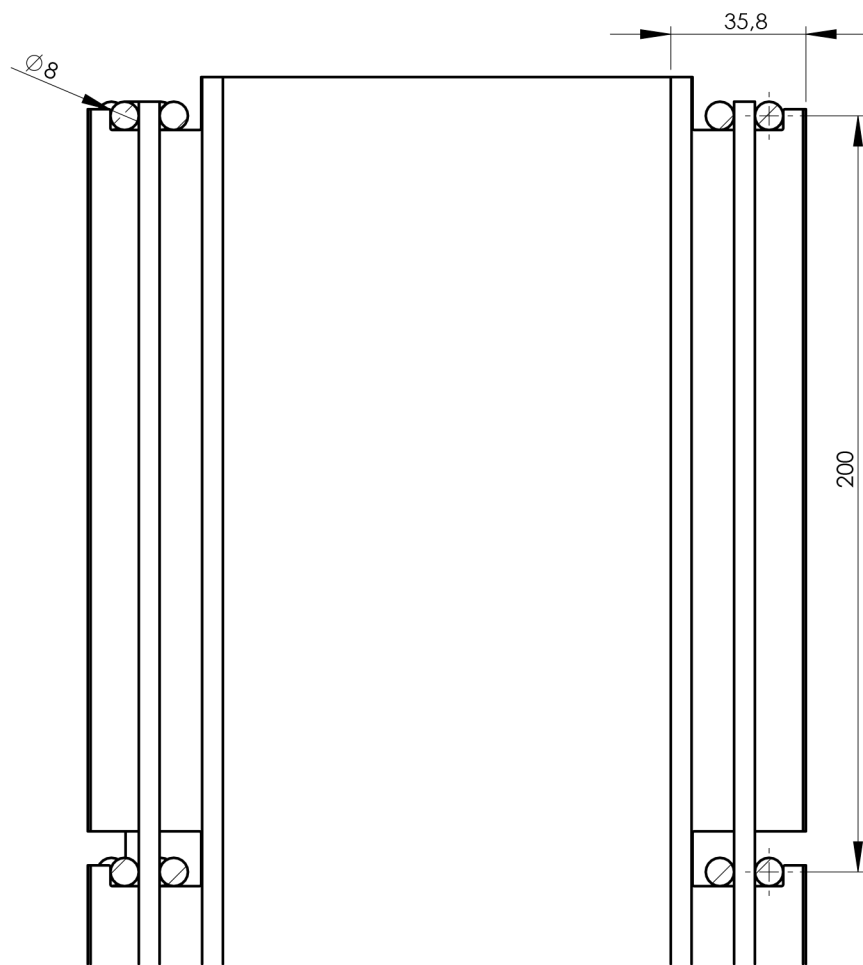
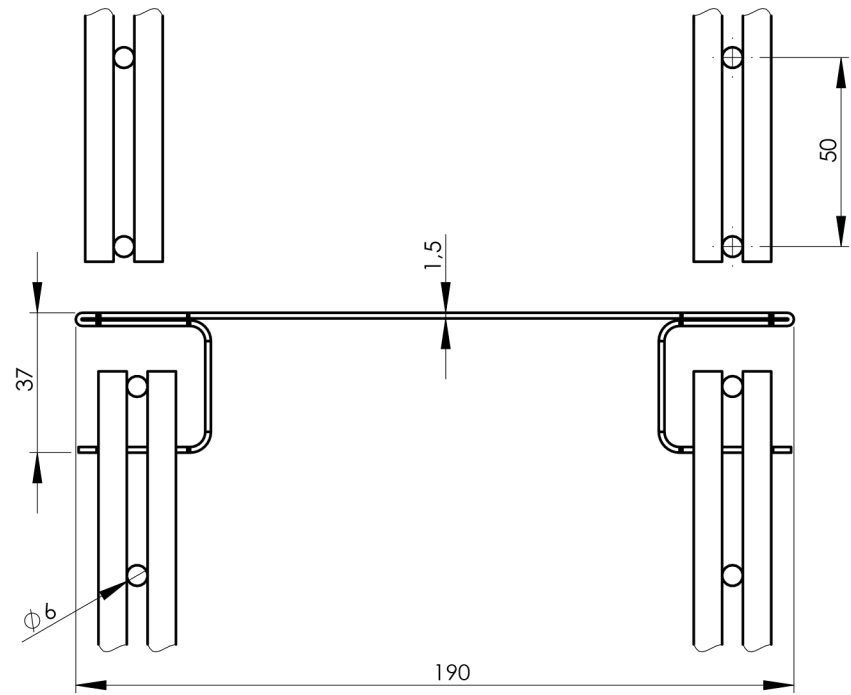
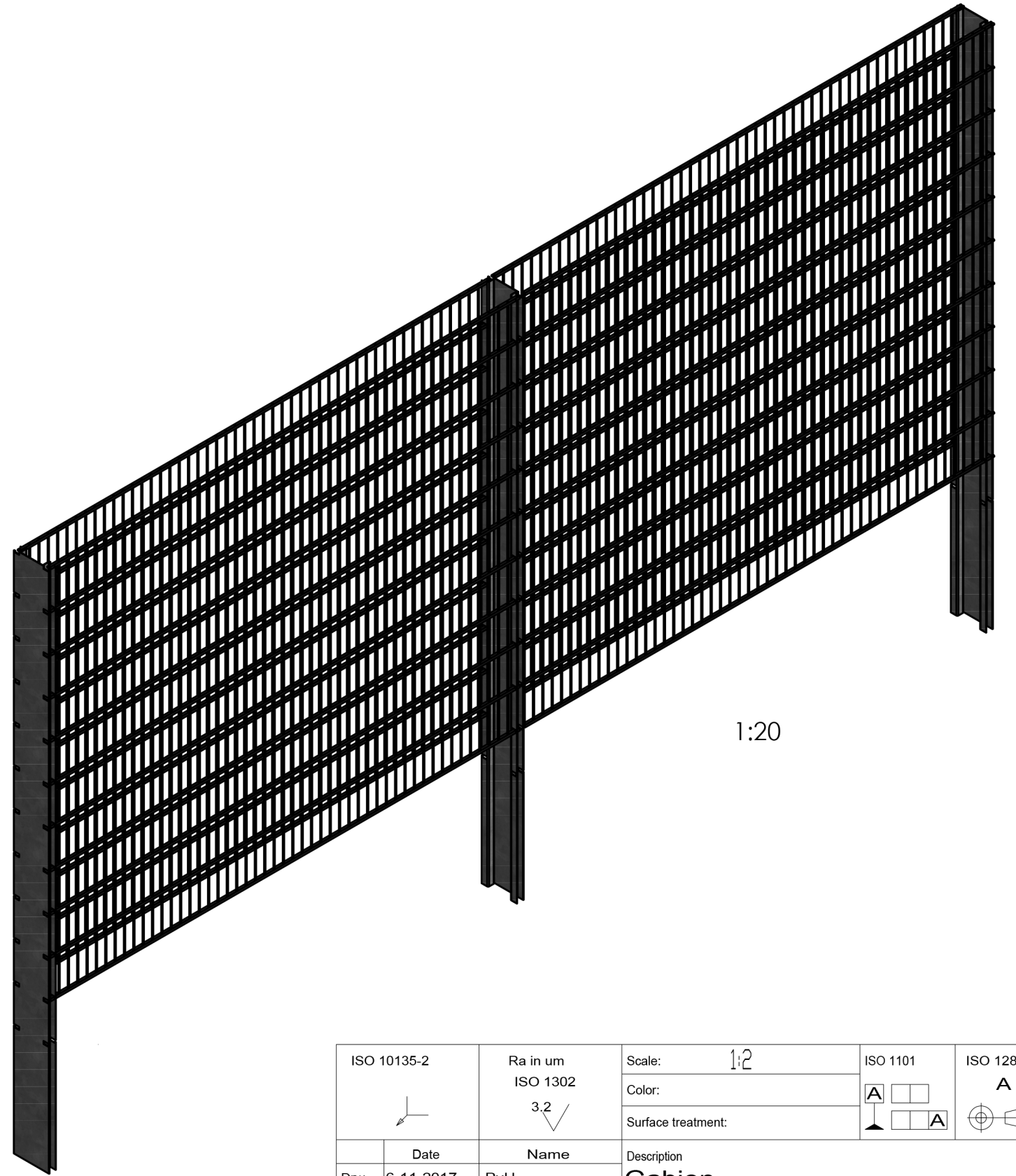


top view



section view



1:20

ISO 10135-2	Ra in um ISO 1302 3.2	Scale: 1:2	ISO 1101	ISO 128
		Color:		
		Surface treatment:		
	Date	Name	Description	
Drw.	6-11-2017	PvU	Gabion	
Chkd.			Art.nr.	
Auth.				
		Drawing no.	REV.	Sheet
		Gabion spec. sheet I	0	1
		Form.	A3	Sheets
				1
Refers to:		Release Level: Approved		