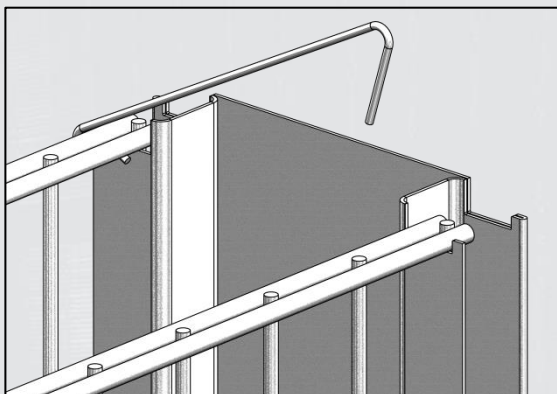


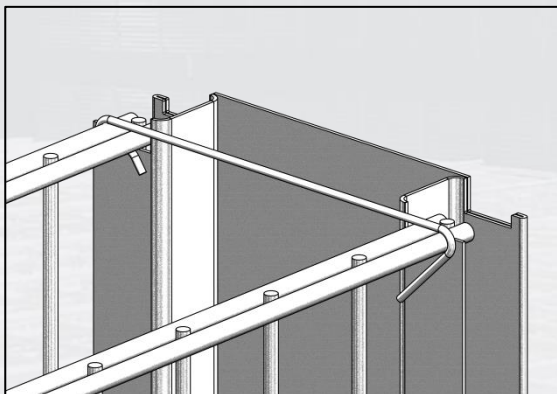


Installation of the anchors

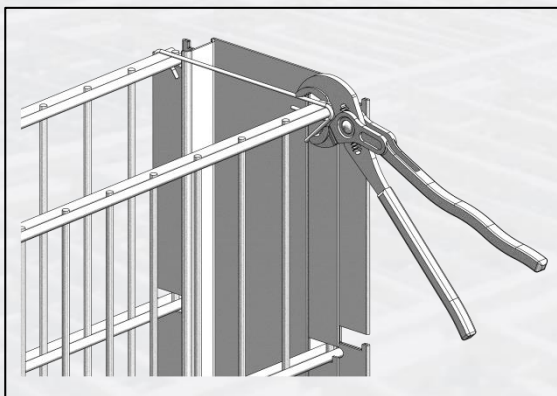
1)



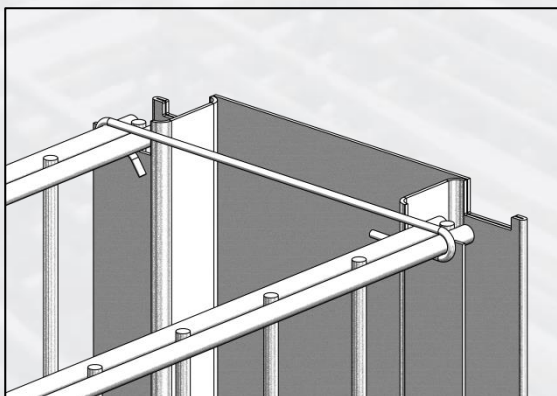
2)



3)



4)



! ALWAYS USE THE CORRECT AMOUNT OF ANCHORS !

! FILL THE GABIONS CAREFUL !