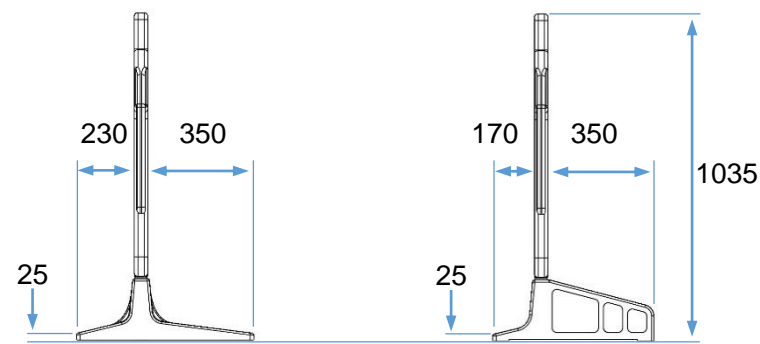
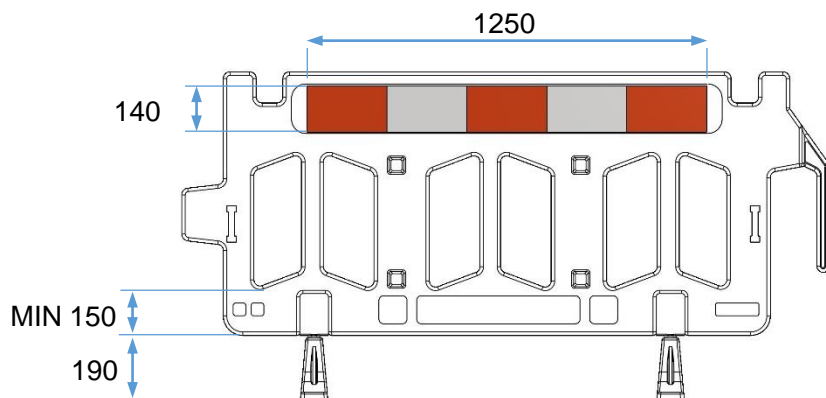




BARRIERS

	FIRMUS	STANDARD FOOT	ANTI TRIP FOOT
PRODUCT CODE	FIRMUSBARRIER2M		FIRMUS-ANTI-TRIP
WL	2000MM	S:230 L:350	S:170 L:350
W	80MM	80	60
H	1075MM	190	190
WEIGHT E / F (KG)		12 TOTAL	13.5 TOTAL
PER PALLET	50	-	-
PER FULL LOAD	-	-	-
MATERIAL	UVHDPE	PVC	PVC
COLOUR	ORANGE / CUSTOM	BLACK	BLACK





BALLAST REQUIREMENTS (BS 8442: 2006)

	CAT C WIND – 19mph	CAT B WIND – 39mph	CAT A WIND – 58mph
BARRIER FLAT	0 KG	40 KG	90 KG
BARRIER BOXED	0 KG	0 KG	60 KG

