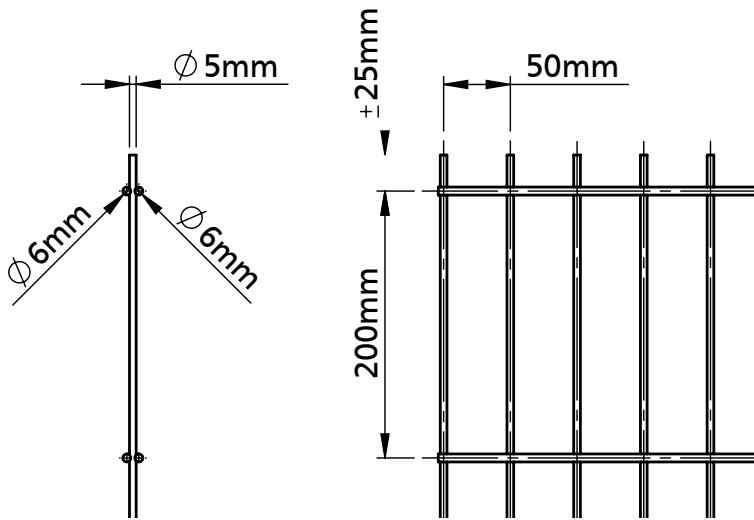




# Ridgefence Double Bar 656

**MESH SIZE 50 X 200 MM**

## DIMENSIONS



## SURFACE TREATMENTS

- Self-colour
- Galfan (zinc/alu) wire + polyester powder coating
- Hot-dip galvanised according to EN ISO 1461
- Hot-dip galvanised according to EN ISO 1461 with polyester powder coating
- Standard colours: RAL 6005, 6009, 7016 & 9005

## WEIGHT TABLE

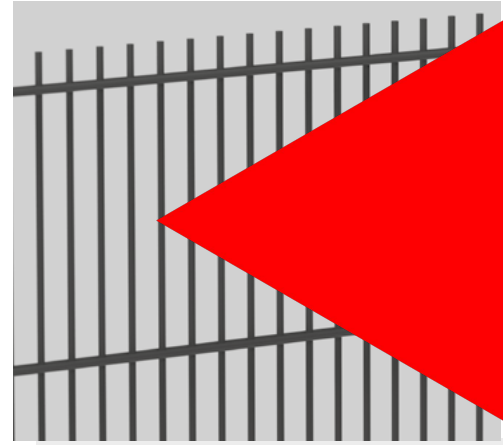
Height	Pre-galve + coated	HDG	HDG + coated
630 mm	8,2 kg	8,5 kg	8,7 kg
830 mm	10,5 kg	10,9 kg	11,1 kg
1030 mm	12,9 kg	13,4 kg	13,6 kg
1230 mm	15,2 kg	15,8 kg	16,1 kg
1430 mm	17,6 kg	18,2 kg	18,5 kg
1630 mm	19,9 kg	20,6 kg	21,0 kg
1830 mm	22,3 kg	23,1 kg	23,5 kg
2030 mm	24,6 kg	25,5 kg	26,0 kg
2230 mm	26,9 kg	27,9 kg	28,4 kg
2430 mm	29,3 kg	30,4 kg	30,9 kg

Other dimensions, mesh sizes and colours available upon request.



Ridgefence

[www.ridgewayfencing.com](http://www.ridgewayfencing.com)



## APPLICATIONS

- Schools
- Housing
- Public places
- Industry
- Sport fields

## SECURITY LEVEL 6



## TECHNICAL SPECIFICATIONS

- Horizontal wires: 2 x  $\phi 6\text{ mm}$  (2 x 4 GA)
- Vertical wires: 1 x  $\phi 5\text{ mm}$  (1 x 6 GA)
- Width: 2.508 mm (8' 2")
- Height: see weight table
- Mesh size: 50 x 200 mm (1" x 8")

