



## DATA SHEET 1 / 4

### RB2000 BARRIER SYSTEM 1

Rugged water filled barrier for traffic and pedestrian delineation

## BARRIER

### RB2000 BARRIER

PRODUCT CODE	BYRB2000
DIMMENSIONS (MM)	L2000 H1000 D400 / WL1650
MAX ANGLE (DEG)	25 DEG
MATERIAL	UV MDPE
FILL CAPACITY (L)	365L
WEIGHT E / F (KG)	35 /400KG
COLOURS	RED / WHITE
FILL / DRAIN HOLES (MM)	75 / 25MM
FORK CHANNELS	2 X 200 X 50MM
NO PER PALLET	6 OVER SIZED
CONFIRMED WIND SPEED	70 MPH (not tot failure)

MAX  
FILL LEVEL  
↓



## ACCESSORIES

### RB2000 END 1

BYRB2000.SE
L550 H1000 D 400
-
UV MDPE
-
5KG
RED / WHITE
-
-
24
-



### RB2000 END 2

BYRB2000.SE
L550 H1000 D 400
-
UV MDPE
-
5KG
RED / WHITE
-
-
24
-





### RB2000 BARRIER SYSTEM 2

Rugged water filled barrier for traffic and pedestrian delineation

## ACCESSORIES

### RB2000 MESH

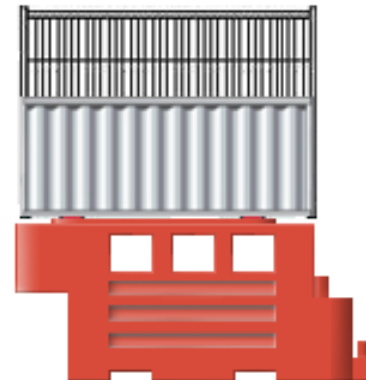
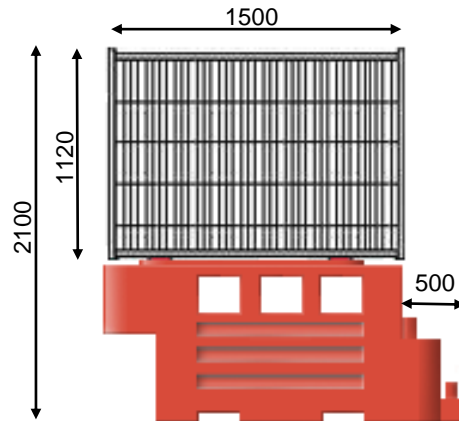
PRODUCT CODE	BYRB2000.MG
DIMENSIONS (MM)	L1500 H1120 D40
MATERIAL	STEEL POWDER COAT
PANEL WEIGHT	12
COUPLING	NOT SHOWN
COLOURS	WHITE
NO PER PALLET	25 OVER SIZED

### RB2000 50 / 50

L1500 H1120 D40
STEEL POWDER COAT
15
-
WHITE

### RB2000 HOARDING

L1500 H1120 D40
STEEL POWDER COAT
21
-
WHITE
25 OVERSIZED





## DATA SHEET 3 / 4

### RB2000 PEDESTRIAN GATE

Steel gate system providing safe access to site

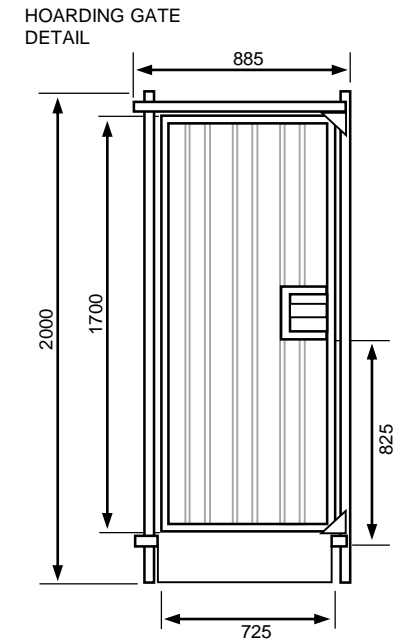
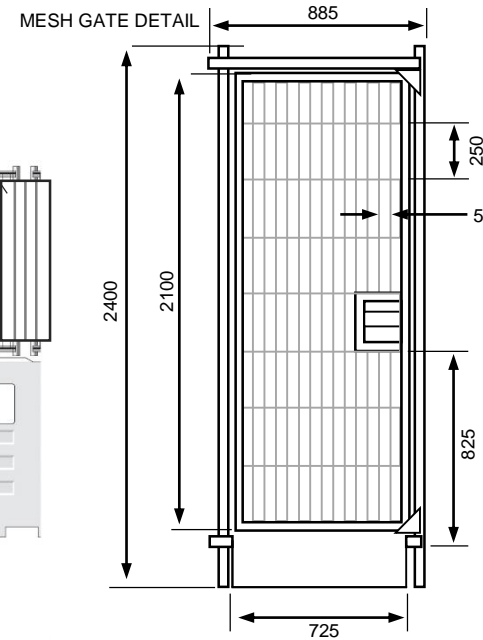
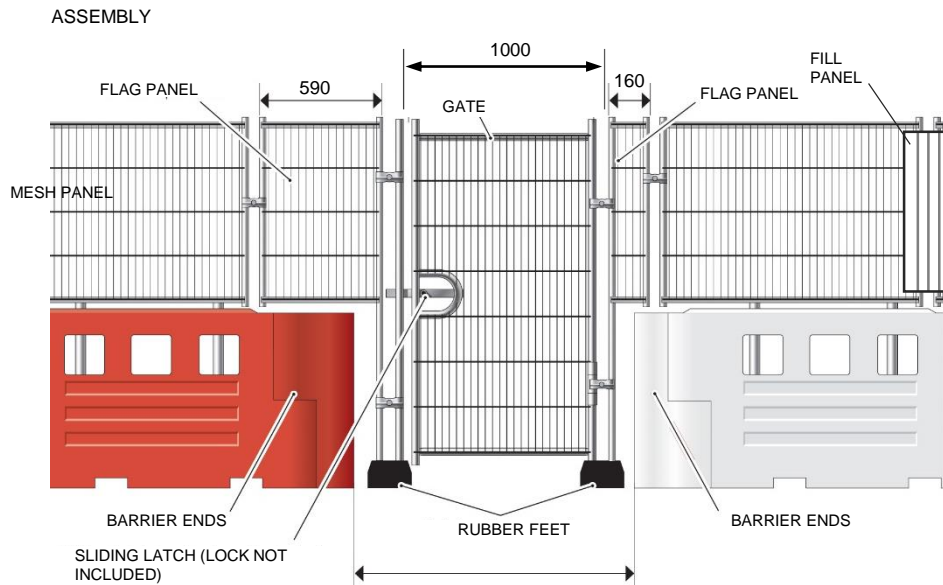
## ACCESSORIES

### RBB 2000 MESH GATE

### RB 2000 SOLID GATE

GATES (M)	W=1 X H=2.4 / CUSTOM
FLAG PANELS	1 X 590MM / 1 X 160MM
RUBBER FEET	2 X 18 KG
BARRIER ENDS	1 X RB2000 END 1 1 X RB2000 END 2
TOTAL WEIGHT	
FILL PANELS	OPTIONAL EXTRA

GATES (M)	W=1 X H=2.4 / CUSTOM
FLAG PANELS	1 X 590MM / 1 X 160MM
RUBBER FEET	2 X 18 KG
BARRIER ENDS	1 X RB2000 END 1 1 X RB2000 END 2





### RB2000 VEHICLE GATE

Steel gate system providing safe access to site

## ACCESSORIES

### RBB 2000 VEH GATE

### RB 2000 SOLID VEH GATE

GATES (M)	W = 2 / 3 / 4 x H = XX	W = 2 / 3 / 4 x H = XX
FLAG PANELS	1 X 590MM / 1 X 160MM	1 X 590MM / 1 X 160MM
RUBBER FEET	2 X 18 KG	2 X 18 KG
BARRIER ENDS	1 X RB2000 END 1 1 X RB2000 END 2	1 X RB2000 END 1 1 X RB2000 END 2
TOTAL WEIGHT		
FILL PANELS	OPTIONAL EXTRA	

MESH GATE ASSEMBLY – SOLID NOT SHOWN

