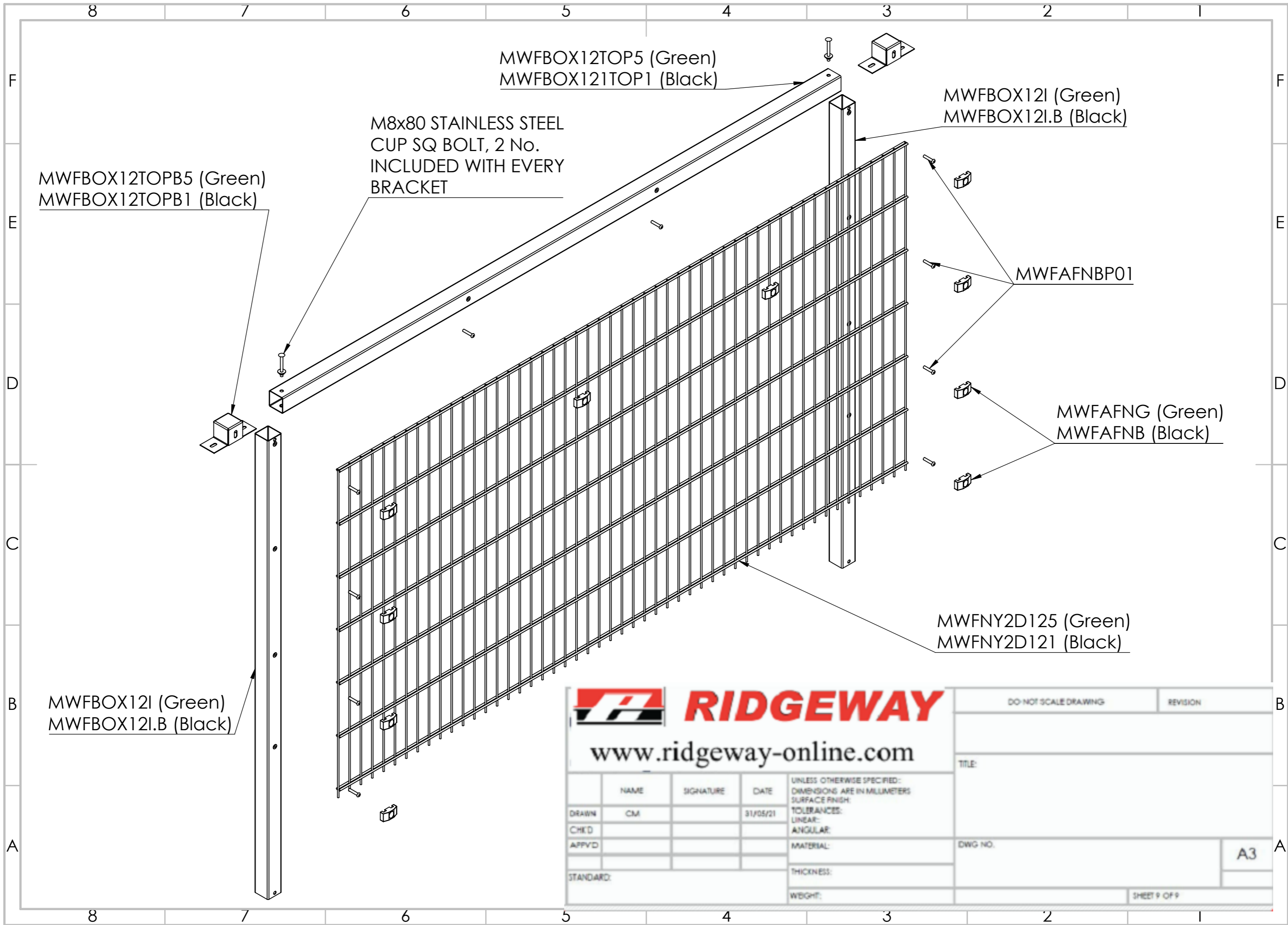


www.ridge-way-online.com

	NAME	SIGNATURE	DATE	UNLESS OTHERWISE SPECIFIED: DIMENSIONS ARE IN MILLIMETERS SURFACE FINISH: TOLERANCES: LINEAR: ANGULAR: MATERIAL: THICKNESS: WEIGHT:
DRAWN	CM		31/05/21	
CHK'D				
APP'VD				
STANDARD:				

DO NOT SCALE DRAWING	REVISION
TITLE:	
DWG NO.	A3
SHEET 9 OF 9	



MWFBX12TOP5 (Green)
MWFBX12TOP1 (Black)

MWFBX12I (Green)
MWFBX12I.B (Black)

MWFBX12TOPB5 (Green)
MWFBX12TOPB1 (Black)

M8x80 STAINLESS STEEL
CUP SQ BOLT, 2 No.
INCLUDED WITH EVERY
BRACKET

MWFAFNBP01

MWFAFNG (Green)
MWFAFNB (Black)

MWFN2D125 (Green)
MWFN2D121 (Black)

MWFBX12I (Green)
MWFBX12I.B (Black)

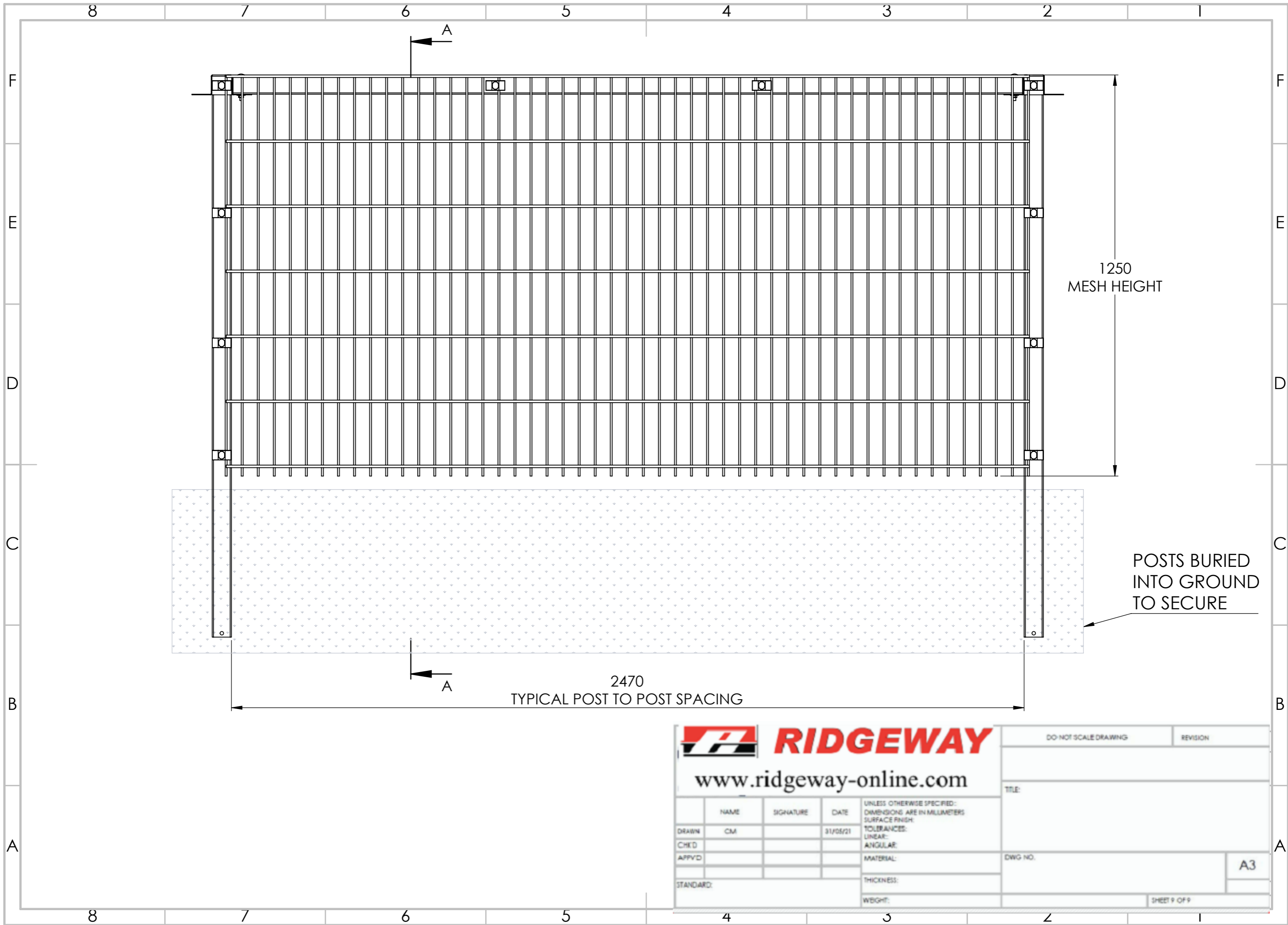


www.ridgeway-online.com

NAME	SIGNATURE	DATE	UNLESS OTHERWISE SPECIFIED: DIMENSIONS ARE IN MILLIMETERS SURFACE FINISH: TOLERANCES: LINEAR: ANGULAR: MATERIAL: THICKNESS: WEIGHT:
DRAWN	CM	31/05/21	
CHEK'D			
APPV'D			
STANDARD:			

DO NOT SCALE DRAWING	REVISION
TITLE:	
DWG NO.	
SHEET 9 OF 9	

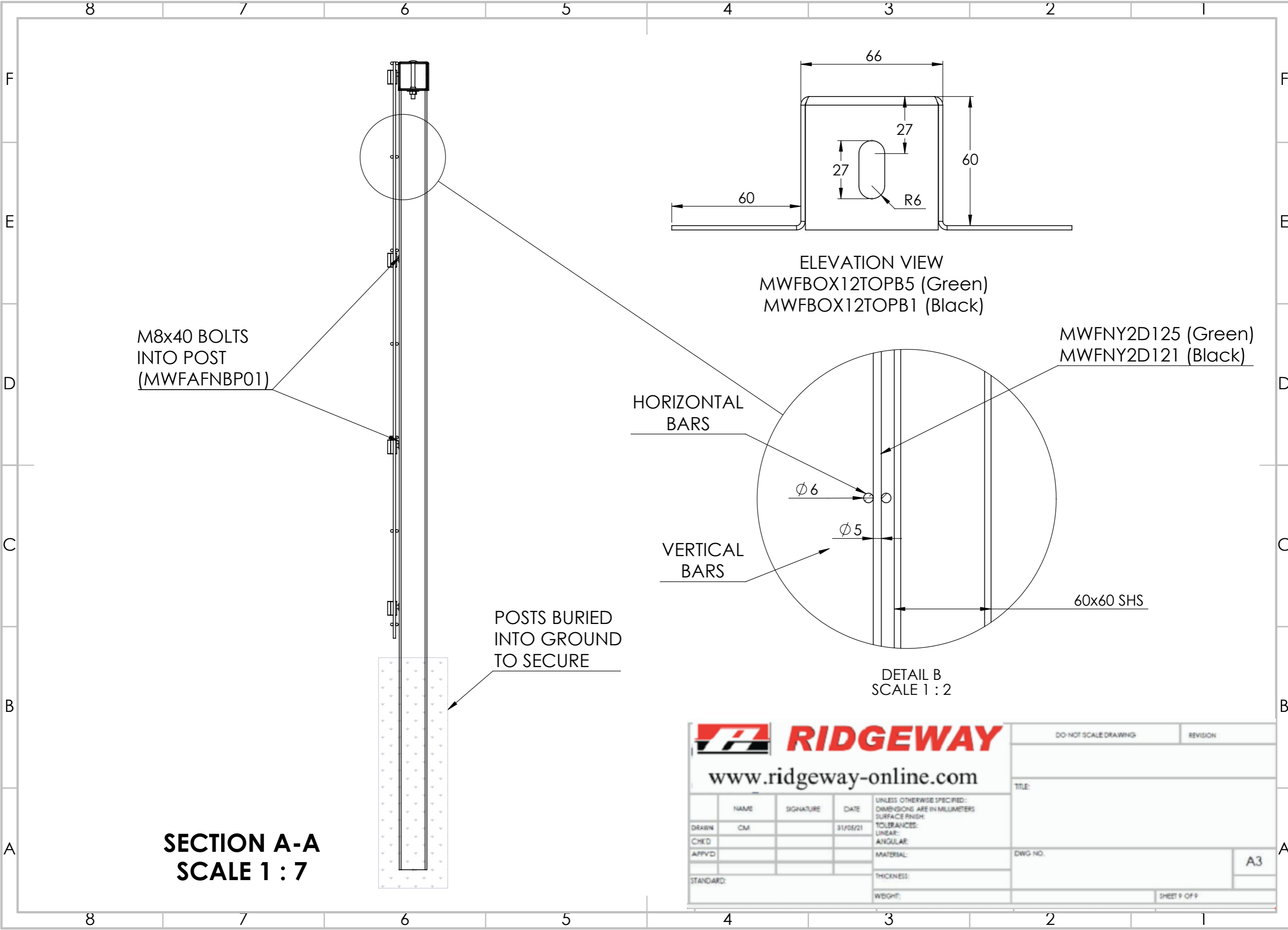
A3



www.ridgeWAY-online.com

	NAME	SIGNATURE	DATE	UNLESS OTHERWISE SPECIFIED: DIMENSIONS ARE IN MILLIMETERS SURFACE FINISH: TOLERANCES: LINEAR: ANGULAR: MATERIAL: THICKNESS: WEIGHT:
DRAWN	CM		31/05/21	
CHEK'D				
APP'VD				
STANDARD:				

DO NOT SCALE DRAWING	REVISION
TITLE:	
DWG NO.	
A3	
SHEET 9 OF 9	



M8x40 BOLTS
INTO POST
(MWFAFNBP01)

POSTS BURIED
INTO GROUND
TO SECURE

HORIZONTAL
BARS

VERTICAL
BARS

MWFNY2D125 (Green)
MWFNY2D121 (Black)

60x60 SHS

ELEVATION VIEW
MWFBOX12TOPB5 (Green)
MWFBOX12TOPB1 (Black)

DETAIL B
SCALE 1 : 2

SECTION A-A
SCALE 1 : 7



www.ridgeway-online.com

	NAME	SIGNATURE	DATE	UNLESS OTHERWISE SPECIFIED: DIMENSIONS ARE IN MILLIMETERS
DRAWN	CM		31/05/21	SURFACE FINISH:
CHEK'D				TOLERANCES:
APPV'D				LINEAR:
				ANGULAR:
				MATERIAL:
				THICKNESS:
				WEIGHT:

DO NOT SCALE DRAWING	REVISION
TITLE:	
DWG NO.	
A3	
SHEET 9 OF 9	

TOP RAIL
 MWFBOX12TOP5 (Green)
 MWFBOX121TOP1 (Black)

M8x80 STAINLESS STEEL
 CUP SQ BOLT, 2 No.
 INCLUDED WITH EVERY
 BRACKET

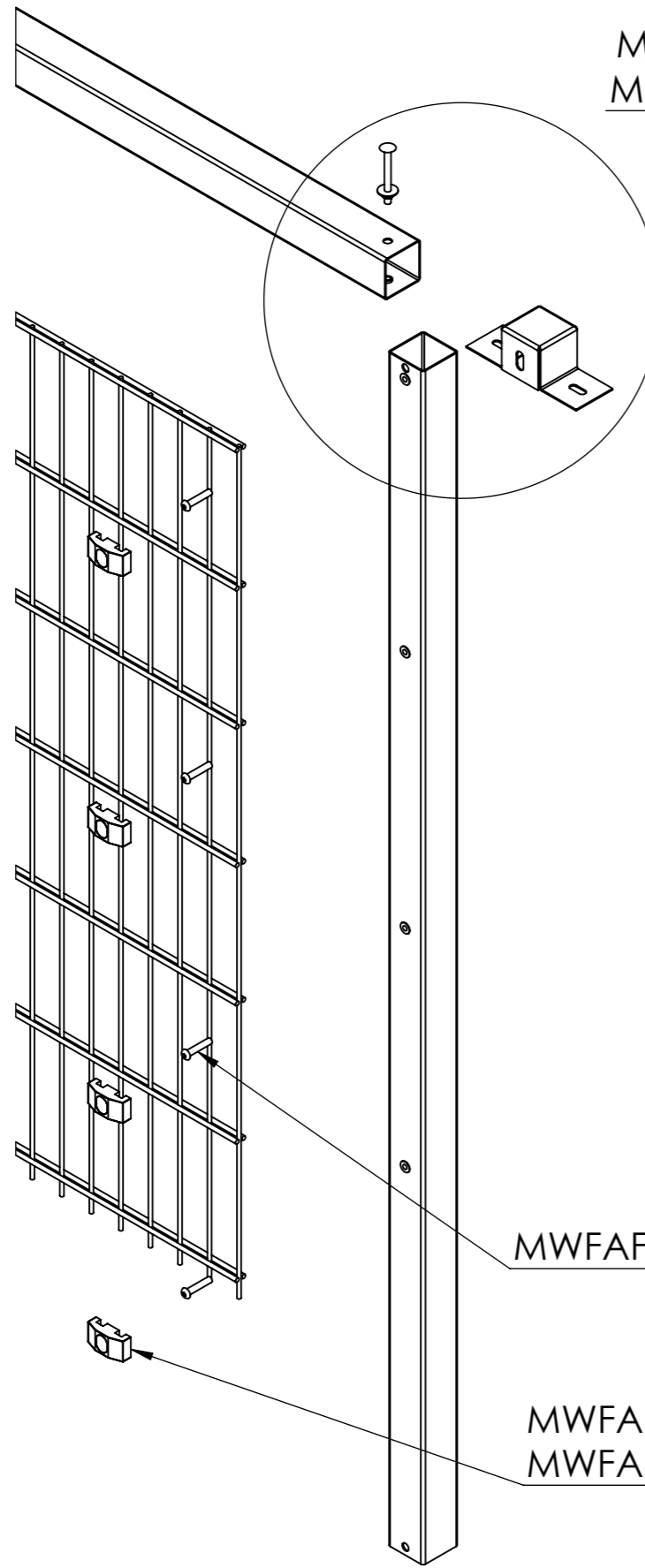
MWFBOX12TOPB5 (Green)
 MWFBOX12TOPB1 (Black)

MWFBOX12I (Green)
 MWFBOX12I.B (Black)

DETAIL D
 SCALE 1 : 4

MWFAFNBP01

MWFAFNG (Green)
 MWFAFNB (Black)



www.ridge-way-online.com

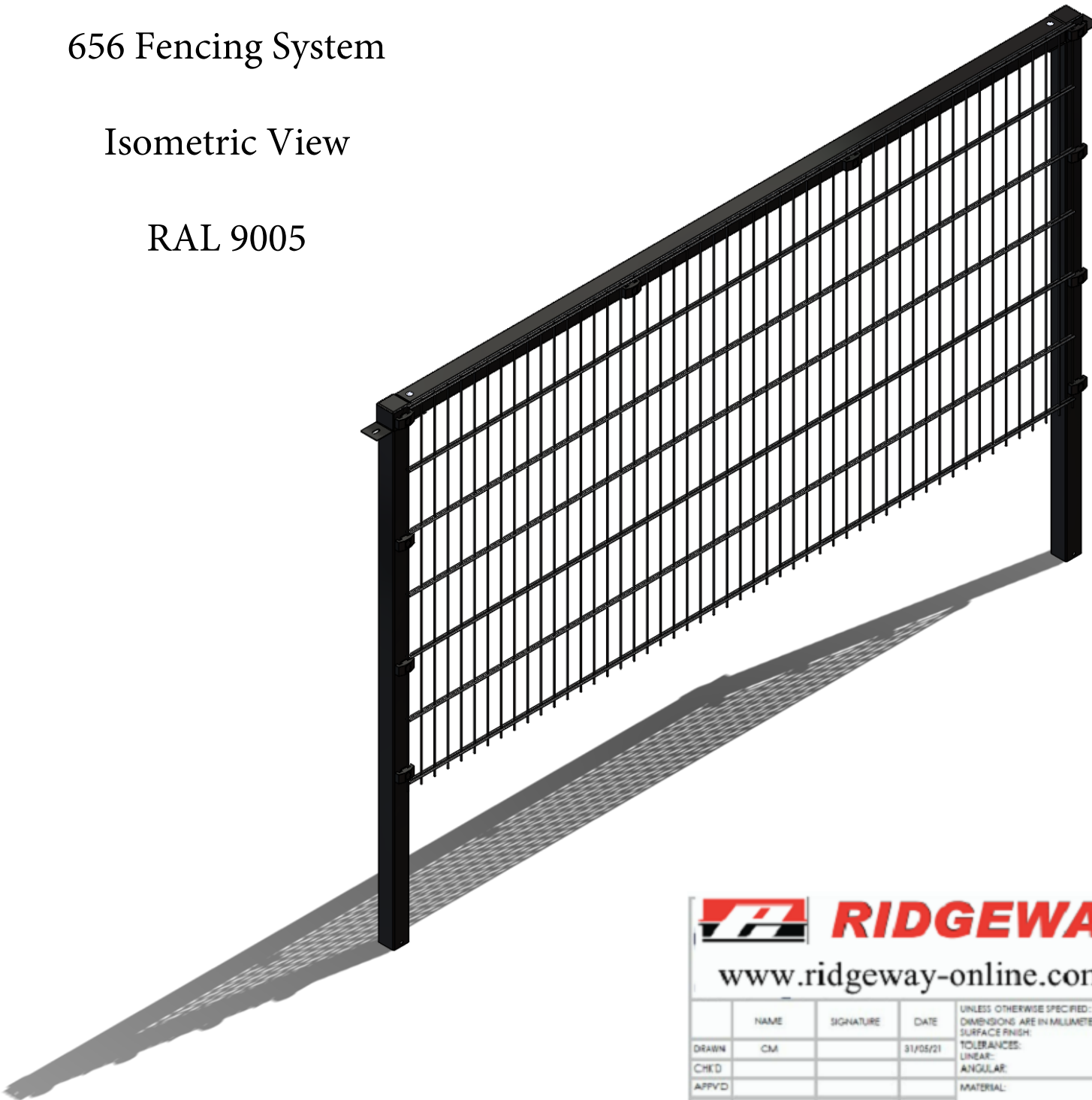
NAME	SIGNATURE	DATE	UNLESS OTHERWISE SPECIFIED: DIMENSIONS ARE IN MILLIMETERS SURFACE FINISH: TOLERANCES: LINEAR: ANGULAR: MATERIAL: THICKNESS: WEIGHT:
DRAWN	CM	31/05/21	
CHEK			
APPVD			
STANDARD:			

DO NOT SCALE DRAWING	REVISION
TITLE:	
DWG NO.	A3
SHEET 9 OF 9	

656 Fencing System

Isometric View

RAL 9005



		RIDGEWAY		DO NOT SCALE DRAWING		REVISION	
www.ridgeway-online.com				TITLE:			
NAME	SIGNATURE	DATE	UNLESS OTHERWISE SPECIFIED: DIMENSIONS ARE IN MILLIMETERS SURFACE FINISH:				
DRAWN: CM		31/05/21	TOLERANCES:				
CHEK			LINEAR:				
APPVD			ANGULAR:				
STANDARD:			MATERIAL:		DWG NO.		A3
			THICKNESS:				
			WEIGHT:				
						SHEET 9 OF 9	

656 Fencing System

Isometric View

RAL 6005



		RIDGEWAY		DO NOT SCALE DRAWING		REVISION	
www.ridgeway-online.com				TITLE:			
NAME	SIGNATURE	DATE	UNLESS OTHERWISE SPECIFIED: DIMENSIONS ARE IN MILLIMETERS SURFACE FINISH:				
DRAWN	CM	31/05/21	TOLERANCES:				
CHEK			LINEAR:				
APPVD			ANGULAR:				
STANDARD:			MATERIAL:		DWG NO.		A3
			THICKNESS:				
			WEIGHT:				
							SHEET 9 OF 9